



Scan for full manual

VS-611DT Quick Start Guide

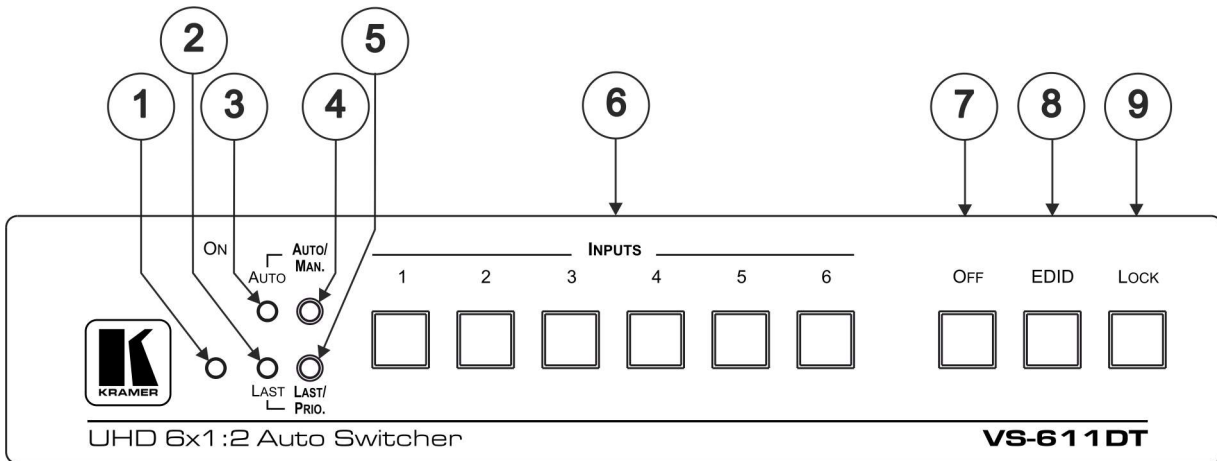
This guide helps you install and use your VS-611DT for the first time.

Go to www.kramerav.com/downloads/VS-611DT to download the latest user manual and check if firmware upgrades are available.

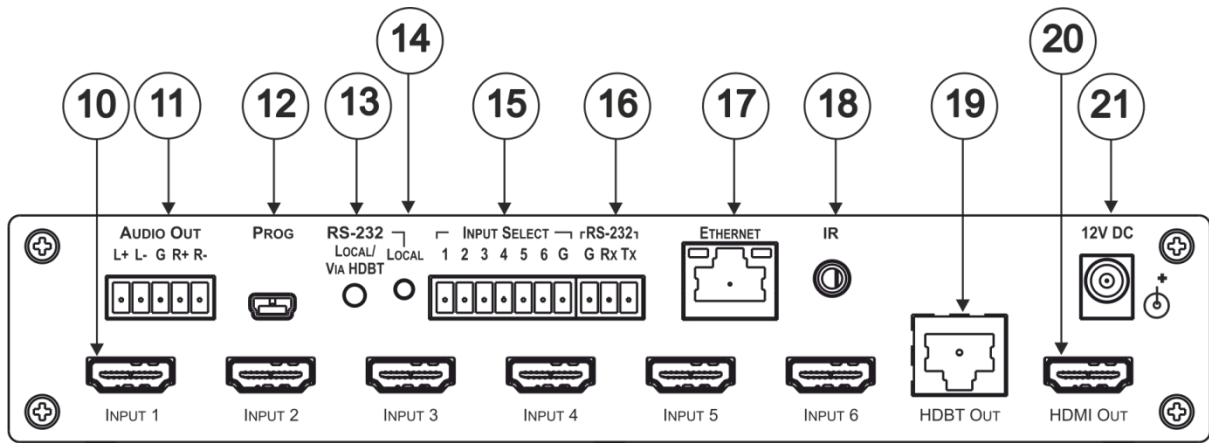
Step 1: Check what's in the box

- ✓ VS-611DT UHD 6x1:2 Auto Switcher
- ✓ 1 Power supply (12V DC)
- ✓ 4 Rubber feet
- ✓ 1 Quick start guide

Step 2: Get to know your VS-611DT



#	Feature	Function
1	ON LED	Lights when the unit is powered on
2	LAST LED	Lights when last connect is active
3	AUTO LED	Lights when auto switching is active
4	AUTO/MAN. Button	Press to select between auto-switching or manual switching mode
5	LAST/PRIO. Button	Press to select between last connected mode or priority switching mode
6	INPUT Buttons (1-6)	Press to select an HDMI source to route to the output
7	OFF Button	Press to mute the output
8	EDID Button	Press to capture the EDID
9	LOCK Button	Press and hold to toggle locking and unlocking the front panel buttons



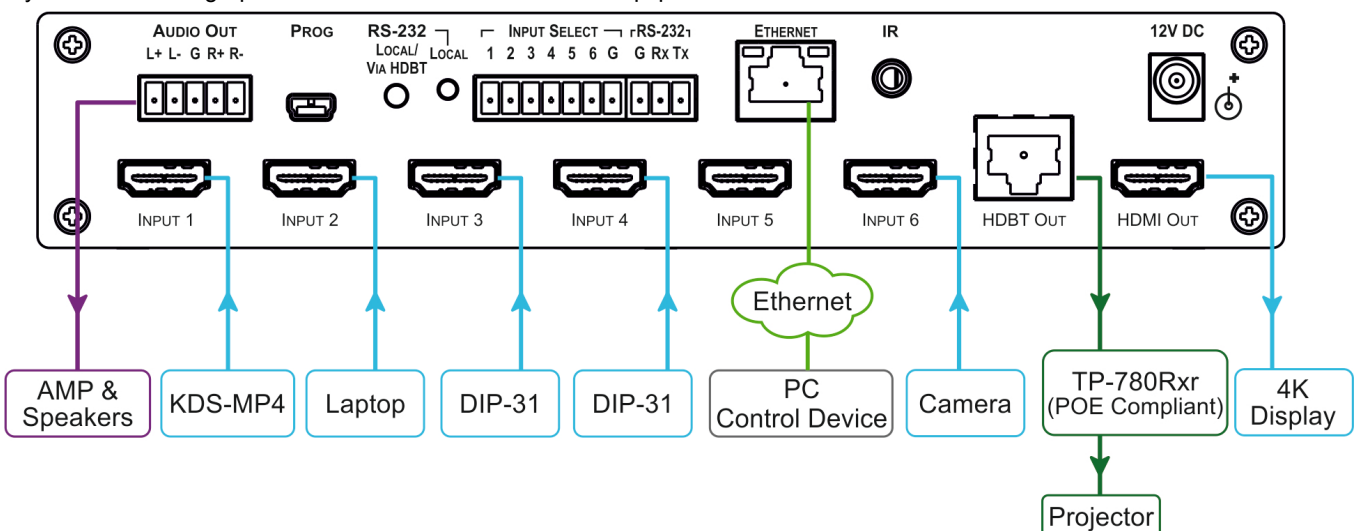
#	Feature	Function
10	INPUT HDMI Connectors (1-6)	Connect to up to 6 HDMI sources
11	AUDIO OUT Terminal Block	Connects to a balanced stereo audio acceptor
12	PROG USB C Connector	Used for upgrading firmware
13	RS-232 LOCAL/VIA HDBT Button	Press to select between a local RS-232 source, or RS-232 over HDBT
14	RS-232 LOCAL LED	Lights when local RS-232 is active
15	INPUT SELECT Contact Closure Terminal Block	Connects to external contact closure input switches
16	RS-232 Terminal Block	Connects to a local RS-232 source
17	ETHERNET RJ-45 Connector	Connects to a network for control
18	IR 3.5mm Mini Jack	Connects to an HDBT IR transmitter/receiver
19	HDBT OUT RJ-45 Connector	Connects to an HDBT TP line
20	HDMI OUT Connector	Connects to an HDMI acceptor
21	12V DC Connector	Connects to a power supply for the unit

Step 3: Install the VS-611DT

Attach the rubber feet and place on a table or mount the **VS-611DT** in a rack (using an optional **RK-1** rack mount).

Step 4: Connect the inputs and outputs

Always switch OFF the power on each device before connecting it to your **VS-611DT**. For best results, we recommend that you always use Kramer high-performance cables to connect AV equipment to the **VS-611DT**.



Step 5: Connect the power

Connect the 12V DC power adapter power cord to the VS-611DT and plug it into the mains electricity.

Safety Instructions



- Caution:** There are no operator serviceable parts inside the unit.
Warning: Use only the Kramer Electronics power supply that is provided with the unit.
Warning: Disconnect the power and unplug the unit from the wall before installing.
 See www.KramerAV.com for updated safety information.

Step 6: Configure the VS-611DT

Capture the EDID:

- Press the EDID button to cycle through the EDID sources. The EDID source is indicated by the number of times all the front panel LEDs flash:
 - 1 flash – EDID captured to all ports from HDMI.
 - 2 flashes – EDID captured to all ports from HDBT.
 - 3 flashes – EDID on all ports set to default EDID.
- Press the button of the input that receives the EDID.
- Press and hold the EDID button for 5 seconds.

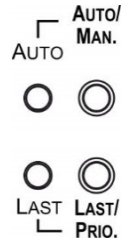
Set the switching mode:

Auto switching – press Auto.

Manual switching – release Auto.

Last connected – press Last.

Priority switching – release Last.



Step 7: Operate the VS-611DT

RS-232 and Ethernet:

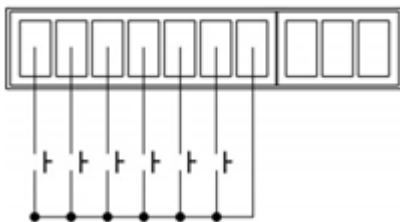
RS-232	
Protocol 3000	
Baud Rate:	9600
Data Bits:	8
Stop Bits:	1
Parity:	None
Command Format	ASCII
TCP/IP Parameters	
IP Address:	192.168.1.39
Subnet mask:	255.255.000.000
Default gateway:	192.168.0.254

Web Pages



Contact Closure

INPUT SELECT RS-232
 1 2 3 4 5 6 G G Rx Tx



Protocol 3000

Example ROUTE command using K-Config:

Command Syntax

Display Command as Hex Decimal ASCII

"#ROUTE 1,1,2",0x0D

Set

Clear

Step 8: Technical specifications

Inputs:	6 HDMI connectors, 1 IR on a 3.5mm mini-jack
Outputs:	1 HDMI connector, 1 HDBaseT on an RJ-45 connector, 1 balanced stereo audio on a 5-pin terminal block
Ports:	1 Ethernet on an RJ-45 connector, 1 RS-232 connector on a 3-pin terminal block, 6 contact closures on a 7-pin terminal block, 1 USB mini-A connector for firmware upgrading
Max. Data Rate:	9Gbps (3Gbps per graphic channel) with 4K support
Compliance with HDMI Standard:	Deep Color, Ethernet, ARC, up to 7.1 Audio Channels
Supported Video Resolutions:	Up to UXGA, 4K x 2K, 4K @60 4:2:0
Controls:	Front panel keyboard, HDBaseT Ethernet, RS-232, IR, contact closure
Software Support:	Protocol 3000, K-Router Plus, EDID Designer, K-Upload
Operating Temperature:	0° to +40°C (32° to 104°F)
Storage Temperature:	-40° to +70°C (-40° to 158°F)
Humidity:	10% to 90%, RHL non-condensing
Power Consumption:	12V DC, 750mA
Dimensions:	21.5cm x 16.3cm x 4.4cm (8.5" x 6.4" x 1.7") W, D, H (1/2 19" 1U)
Weight:	0.95kg (2.1lbs) approx.
Shipping Dimensions:	35.1cm x 21.2cm x 7.2cm (13.8" x 8.4" x 2.8") W, D, H
Shipping Weight:	1.58kg (3.5lbs)
Included Accessories:	Power cord
Options:	RK-1 19" rack adapter
Specifications are subject to change without notice at www.kramerav.com	